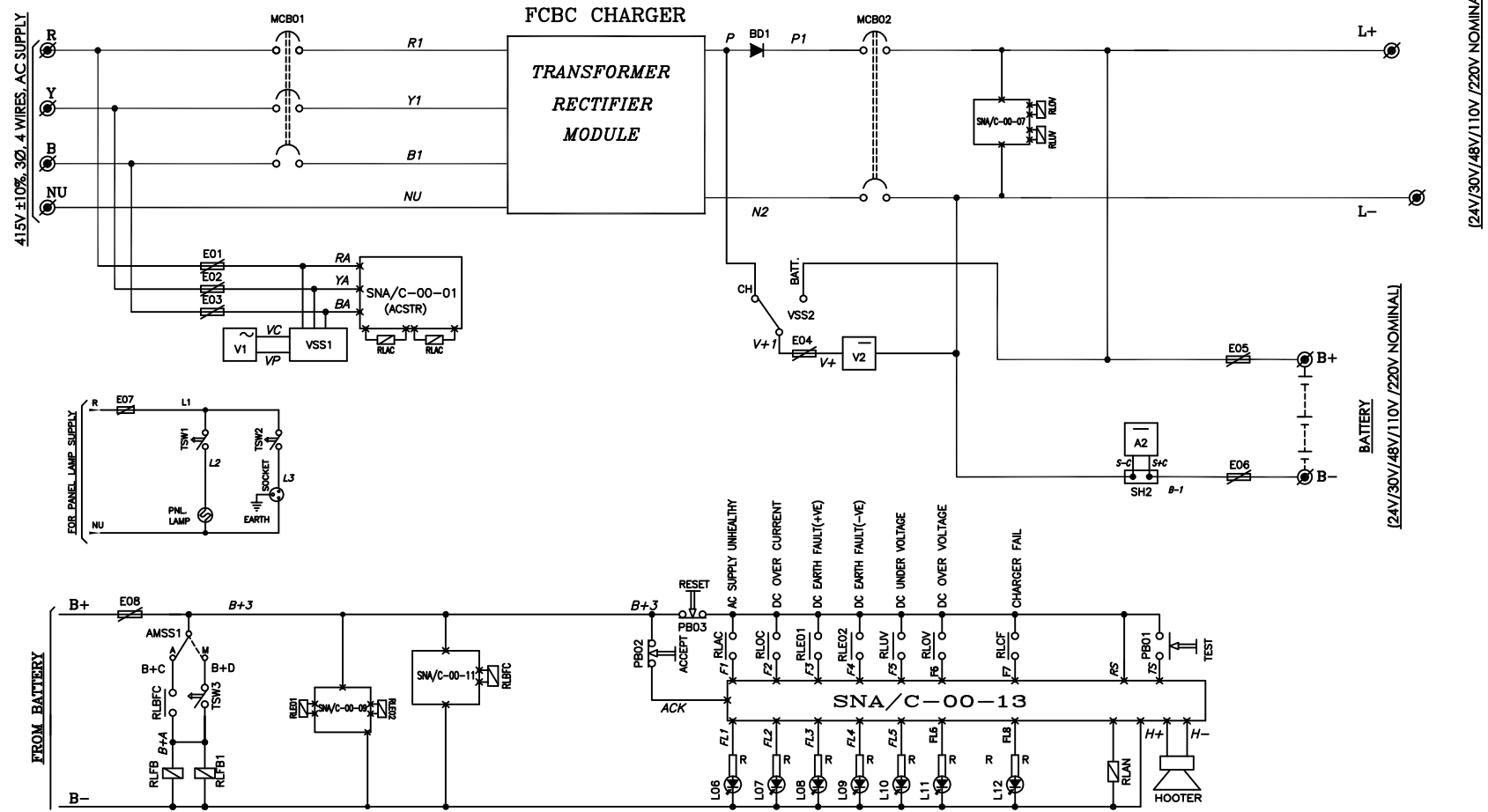


SINGLE FLOAT CUM BOOST CHARGER.



**THIS IS TENTATIVE SLD.
IT CAN BE CHANGED AS PER CUSTOMER REEQUIREMENT.**

LIVELINE ELECTRONICS AND MUST NOT BE COPIED OR LENT WITHOUT THERE PERMISSION IN WRITING

'F' STANDS FOR THE COMPONENTS OF FLOAT CHARGER
'B' STANDS FOR THE COMPONENTS OF BOOST CHARGER
AND 'C' STANDS FOR COMMON ITEMS

LIVELINE ELECTRONICS
North Ramchandrapur, Narendrapur, Sonarpur,
South 24 Paraganas
Kolkata-700103, WB, INDIA
Telephone: 033-64520115/16
E-mail: info@livelineindia.com
www.livelineindia.com



DATE		Issue	Amendments/revision	Date	Name
Drn.	S. MANDAL		FOR PROPOSAL PURPOSE	31.01.19	
Chd.	S. GIRI				
App					

Title: - SCHEMATIC DIAGRAM & ANNUNCIATION OF FLOAT CUM BOOST CHARGER AS PER ATTACHED TECHNICAL SPEC ATTACHED.

CUSTOMER :	SCALE : NTS
	PROJ.REF :
	SHEET NO : 01
Drg.No : SLD-FCB-2-STD-19BCH, REV 01	
NO.OF SHEET : 01	

1 2 3 4 5 6 7 8

A
B
C
D
E
F

TO DCDB

[24V/30V/48V/110V /220V NOMINAL]

[24V/30V/48V/110V /220V NOMINAL]

BATTERY

SNA/C-00-13